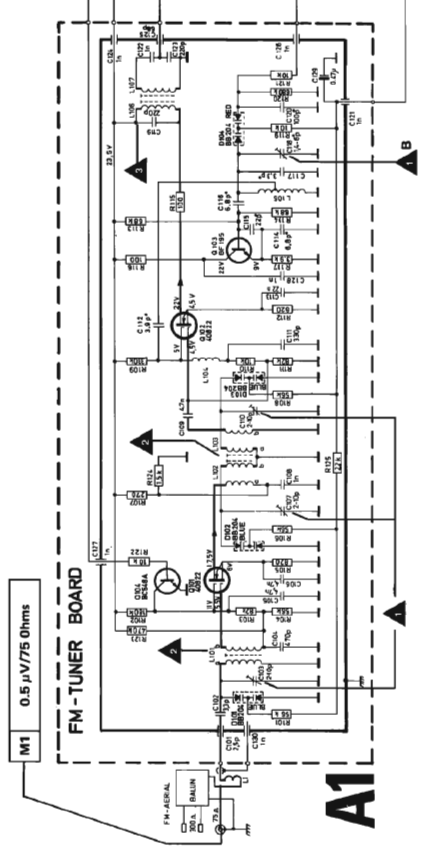


TANDBERG

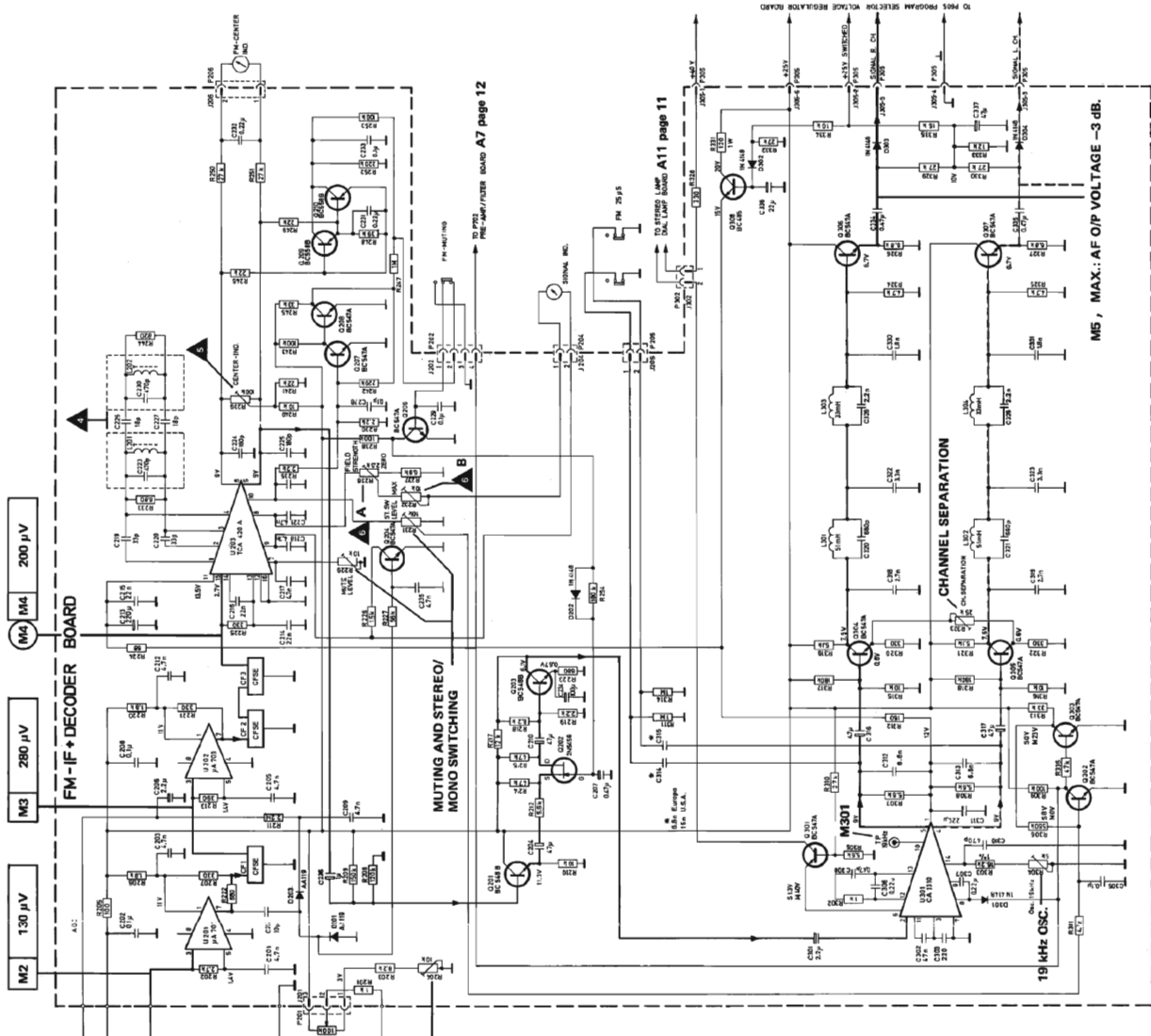
TR 2055

| | |
|--------------|--|
| Byggeår | 1977 |
| Transistorer | Fulltransistorisert |
| Frekvenser | Fm (87.5 - 108 MHz) |
| Høyttaler(e) | Løse permanentdynamiske |
| Kabinett | Oljet palisander, teak, eik eller svart |
| Spenninger | 120, 220 og 240 volt ~ |
| Fysiske mål | (B) 51 x (H) 15.3 x (D) 35.3 cm. |
| Pris | Kr ca 5000.- |
| Merknader | Sidene og topp kunne byttes ut med annet trevirke. |

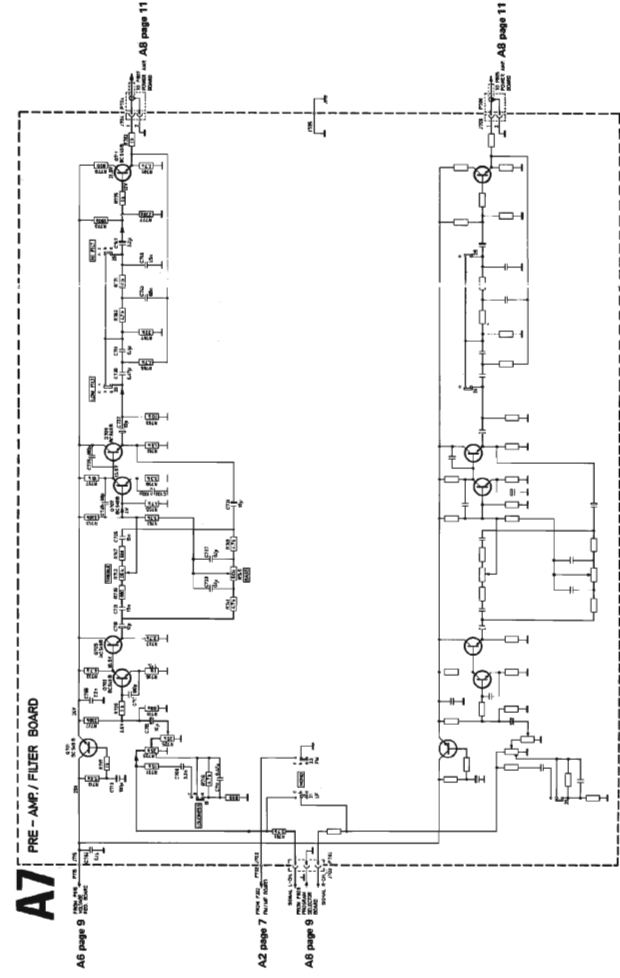




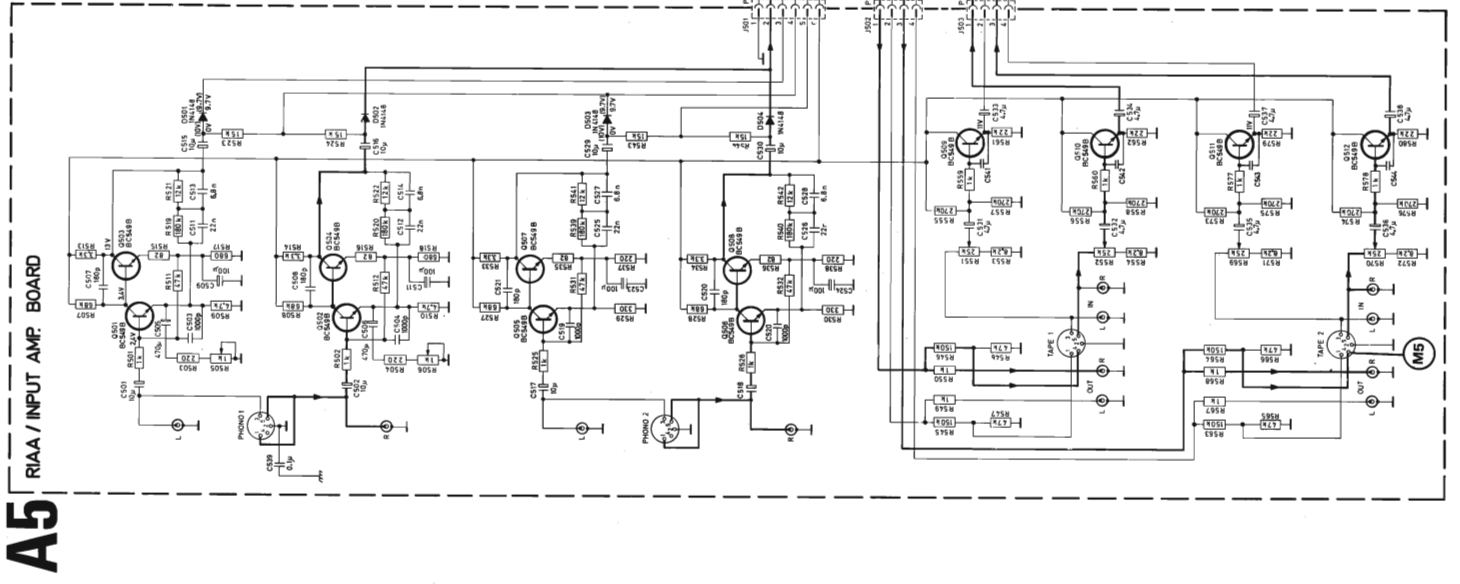
C10 10K
C11 10K
C12 10K
C13 10K
C14 10K
C15 10K



AUDIO SECTION 2 - 43565

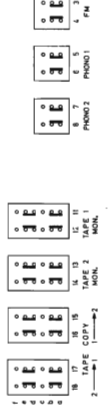


A7



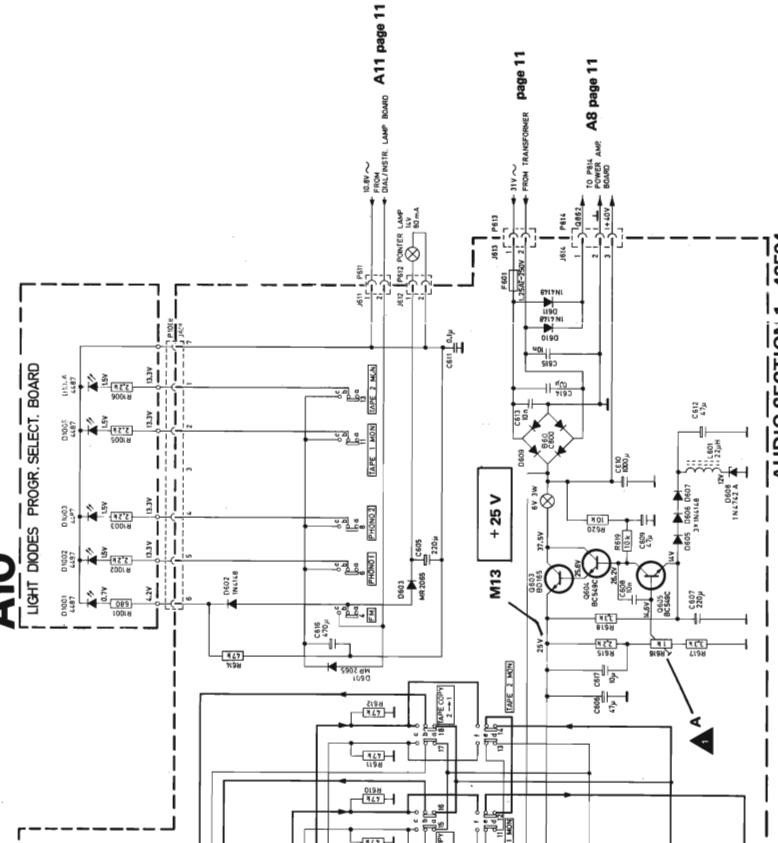
A5

All selectors are shown in unoperated position



A6 PROGRAM SELECT/VOLTAGE REG. BOARD

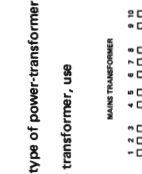
A10 LIGHT DIODES PROG. SELECT. BOARD



AUDIO SECTION 1 - 43594

A11

DIAL/INSTR. LAMPS BOARD



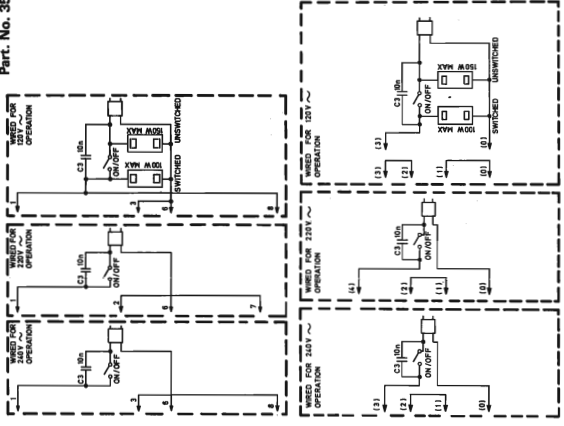
* We keep only one type of power-transformer in stock. When ordering the transformer, use Part. No. 352537.

A2 page 7 FROM P102 FM BOARD TO P101 SELECT BOARD

A6 page 9 TO P113 SELECT BOARD FROM P102 FM BOARD

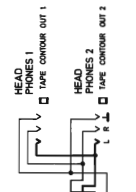
A8

POWER-AMPLIFIER BOARD



A13

POWER-RECORD BOARD



AF-ADJUSTMENTS.

Quiescent current.

The most convenient place to connect the voltmeter is between the top of emitter resistors R853/R851 (left channel) and R854/R852 (right channel), on the component side of the board.

After 10 minutes warm-up (with the volume control in minimum position), the voltage should be 40 mV. If necessary, adjust with R825 (left channel) and R826 (right channel).

