



PHILIPS

"Master" BN543-A

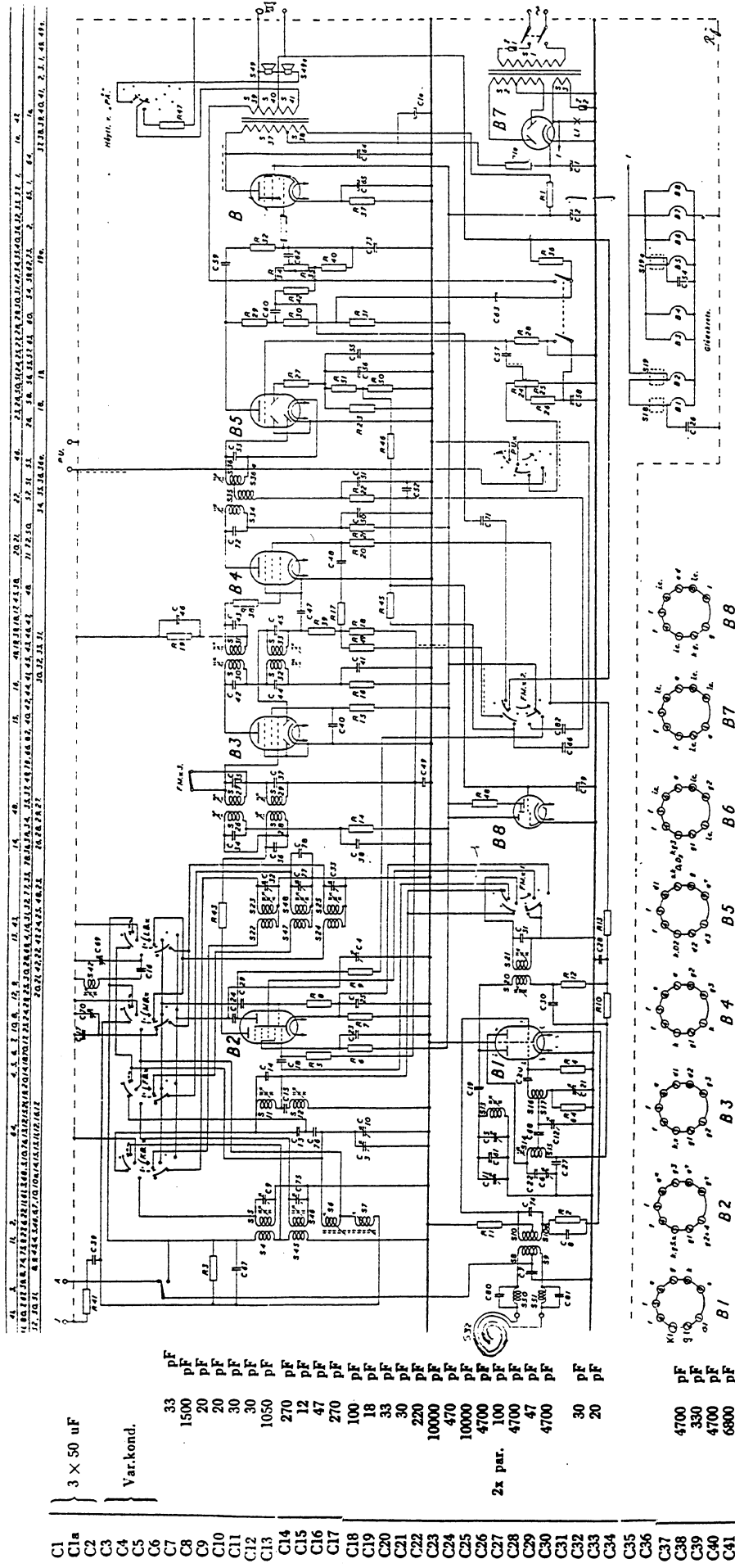
Byggeår	1955
Rørbestykning	ECC85, ECH81, EF85, EBF80, EABC80, EM80, EL84, EZ80
Bølgelengder	L(268 - 150 kHz) M(1550 - 510 kHz) F(3.2 - 1.5 MHz) K(15.5 - 7.0 MHz) FM(100 - 87.5 MHz)
Høytaler	Permanentdynamisk, Philips 18 cm (7")
Kabinett/treverk	Høyglanspolert Sapellimahogni.
Spenninger	130, 150, 230 volt ~
Fysiske mål	B(70) x H(36.2) x D(24.5) cm
Pris	kr 760,-



03-98
Copyright NRHF©

55 RI 3 S

BN 543 A



3 x 50 uF

Var.kond.

C1	
C1a	33 pF
C2	1500 pF
C3	20 pF
C4	30 pF
C5	30 pF
C6	30 pF
C7	1050 pF
C8	270 pF
C9	12 pF
C10	47 pF
C11	270 pF
C12	100 pF
C13	18 pF
C14	33 pF
C15	220 pF
C16	10000 pF
C17	470 pF
C18	10000 pF
C19	4700 pF
C20	100 pF
C21	4700 pF
C22	47 pF
C23	4700 pF
C24	30 pF
C25	20 pF
C26	2x par.
C27	100 pF
C28	4700 pF
C29	47 pF
C30	4700 pF
C31	30 pF
C32	20 pF
C33	
C34	
C35	
C36	
C37	4700 pF
C38	330 pF
C39	4700 pF
C40	6800 pF
C41	
C42	
C43	
C44	
C45	100 pF
C46	47 pF
C47	4700 pF
C48	10000 pF
C49	6800 pF
C50	2200 pF
C51	1000 pF
C52	4700 pF
C53	4700 pF
C54	
C55	

C56	10 uF
C57	10000 pF
C58	8200 pF
C59	22000 pF
C60	10000 pF
C61	4.7 pF
C62	1500 pF
C63	0.1 uF
C64	3300 pF
C65	1000 pF
C66	10000 pF
C67	3000 pF
C68	100 pF
C69	100 pF
C70	100 pF
C71	10000 pF
C72	150 pF
C73	
C74	3.3 pF
C75	20 pF
C76	560 pF
C77	82 pF
C78	20 pF
C79	18 pF
C80	47000 pF
C81	
C82	10000 pF
R1	3x par.
R1a	2700 ohm
R2	100 ohm
R3	470 ohm
R4	33000 ohm
R5	0.22 M.ohm
R6	1.2 M.ohm
R7	39000 ohm
R8	150 ohm
R9	47000 ohm
R10	33000 ohm
R11	10 ohm
R12	10000 ohm
R13	18000 ohm
R14	2200 ohm
R15	82000 ohm
R16	2200 ohm
R17	0.33 M.ohm
R18	1.2 M.ohm
R19	0.1 M.ohm
R20	82000 ohm
R21	2200 ohm
R22	47000 ohm
R23	10000 ohm
R24	1.6 M.ohm
R25	0.4 M.ohm
R26	68000 ohm
R27	68 ohm
R28	10 M.ohm
R29	56000 ohm
R30	56000 ohm
R31	0.1 M.ohm
R32	47000 ohm
R33	1000 ohm
R34	1 M.ohm
R35	1 M.ohm
R36	2700 ohm
R37	150 ohm
R38	10 ohm
R39	0.18 M.ohm
R40	0.82 M.ohm
R41	0.1 M.ohm
R42	22000 ohm
R43	10 ohm
R44	2.7 M.ohm
R45	8.2 M.ohm
R46	33 ohm
R47	0.47 M.ohm
R48	0.22 M.ohm
R49	27000 ohm
R50	0.1 M.ohm
R51	18000 ohm
R64	